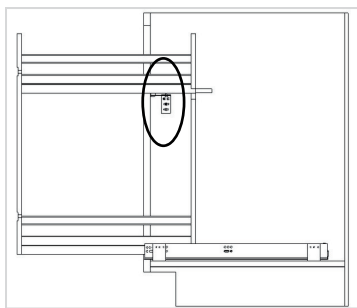
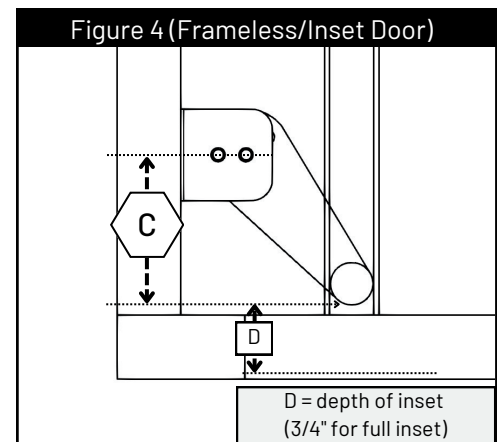
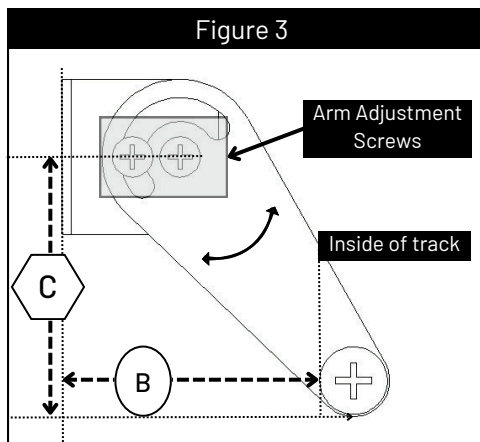
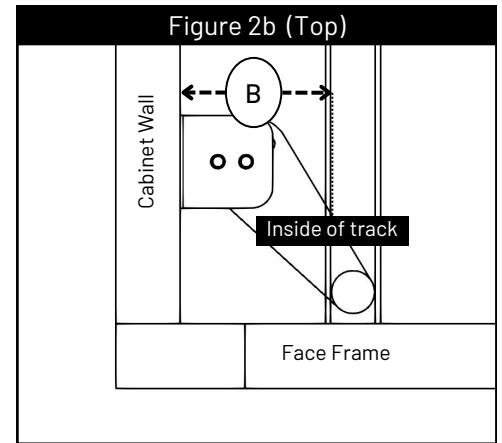
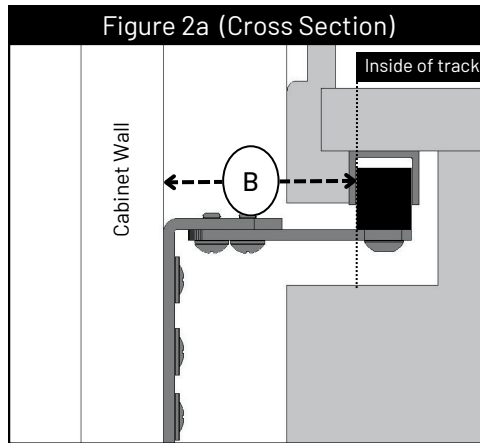
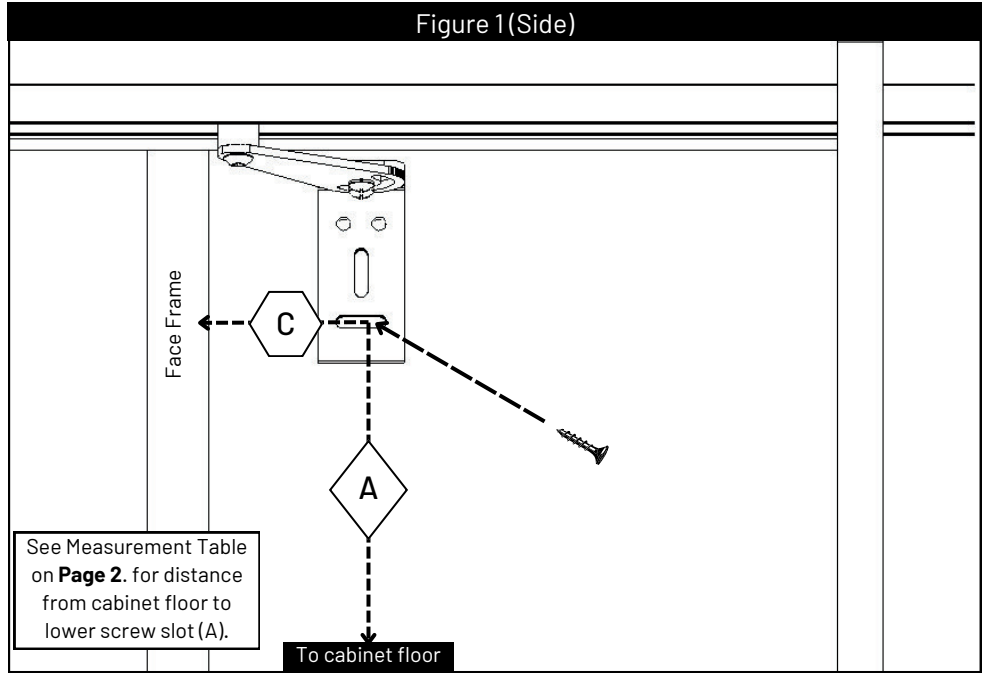


Follow the steps below to determine precise specifications for machining (see step 3 of the Base Organizer Installation Instructions).

1	Place unit in opening on the slide kit.	
2	Find measurement B (distance between cabinet wall and inside of track)(Figure 2a and 2b).	(B)
3	Set the arm to match measurement B (Figure 3)	(B)
4a	Framed: Find measurement C (distance between front of bushing and center of side bracket)(Figure 3)	(C)
4b	Frameless/Inset: add C and D (see figure 4).	(C) (D)
5	Use the measurement table on page 2 to determine measurement A for the unit being installed.	(A)
6	Fasten the bracket on cabinet wall using measurement A (step 5) and C (step 4)(Figure 1).	(A) (C)



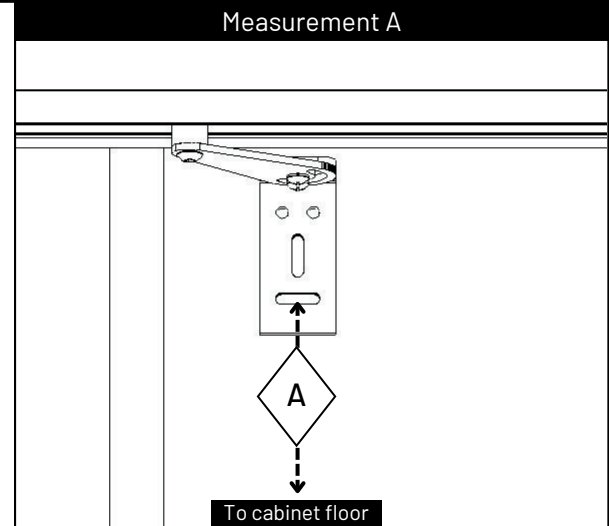
Measurement Table

Find the product number and the corresponding measurement for Measurement A refers to step 3 in the installation instructions.



Product #	Measurement A
CASB0100PF	17-7/8
CASB0100PF-18	17-7/8
CASB0110PF	17-3/8
CASB0115PF	17-7/8
CASB0130PF	17-7/8
CASB0140PF	17-3/8
CASB070PF	17-7/8
CASB080PF	17-3/8
CASB080PF-18	17-3/8
CASB085PF	17-7/8
CASCAN100PF	15-7/8
CASCAN115PF	15-7/8
CASCAN130PF	15-7/8
CASCAN70PF	15-7/8
CASCAN85PF	15-7/8
CASCO100PF	16-7/8
CASCO85PF	16-7/8
CASGO100PF-18	13-7/8
CASGO80PF-18	13-3/8
CASGO-EL100PF-18	13-7/8
CASGO-EL80PF-18	13-3/8
CASKBI100PF	15-7/8
CASKBI110PF	15-3/8
CASKBI130PF	15-7/8
CASKBI70PF	15-7/8
CASKBI80PF	15-3/8
CASOV100PF	13-7/8
CASOV70PF	13-7/8
CASOV80PF	13-3/8
CASSHB100PF	11-3/8
CASSHB70PF	11-3/8
CASSHB80PF	11-3/8
SIGB0100PF	17-7/8
SIGB0100PF-18	17-7/8

Product #	Measurement A
SIGB0115PF	17-7/8
SIGB0130PF	17-7/8
SIGB070PF	17-7/8
SIGB085PF	17-7/8
SIGB085PF-18	17-7/8
SIGCAN100PF	15-7/8
SIGCAN115PF	15-7/8
SIGCAN130PF	15-7/8
SIGCAN70PF	15-7/8
SIGCAN85PF	15-7/8
SIGCO100PF	16-7/8
SIGCO85PF	16-7/8
SIGGO100PF-18	13-7/8
SIGGO85PF-18	13-7/8
SIGGO-EL100PF-18	13-7/8
SIGGO-EL85PF-18	13-7/8
SIGKBI100PF	15-7/8
SIGKBI115PF	15-7/8
SIGKBI130PF	15-7/8
SIGKBI70PF	15-7/8
SIGKBI85PF	15-7/8
SIGOV100PF	13-7/8
SIGOV70PF	13-7/8
SIGOV80PF	13-3/8
SIGSHB100PF	11-3/8
SIGSHB70PF	11-3/8
SIGSHB80PF	11-3/8
WCCB085PF	17-7/8
WCCCAN85PF	15-7/8
WCKBI85PF	15-7/8



Cont.