



5-10 Min.

Tools



Product #s and Min. Opening Sizes

Signature Series:

SIGCAN55PF (MOS: 6"W x 27"H)

SIGCAN55PF-KBI (MOS: 6"W x 27"H)

Cascade Series:

CASCAN50-N (MOS: 6"W x 26-1/2"H)

CASCAN55PF (MOS: 6"W x 27"H)

Box Contents

Base Organizer x1

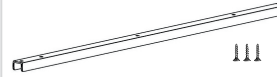
With pre-installed door mount brackets (x4) and Blum locking devices (x2).



Slide Kit x1



Aluminum Track x1 with #6x1/2 installation screws x3



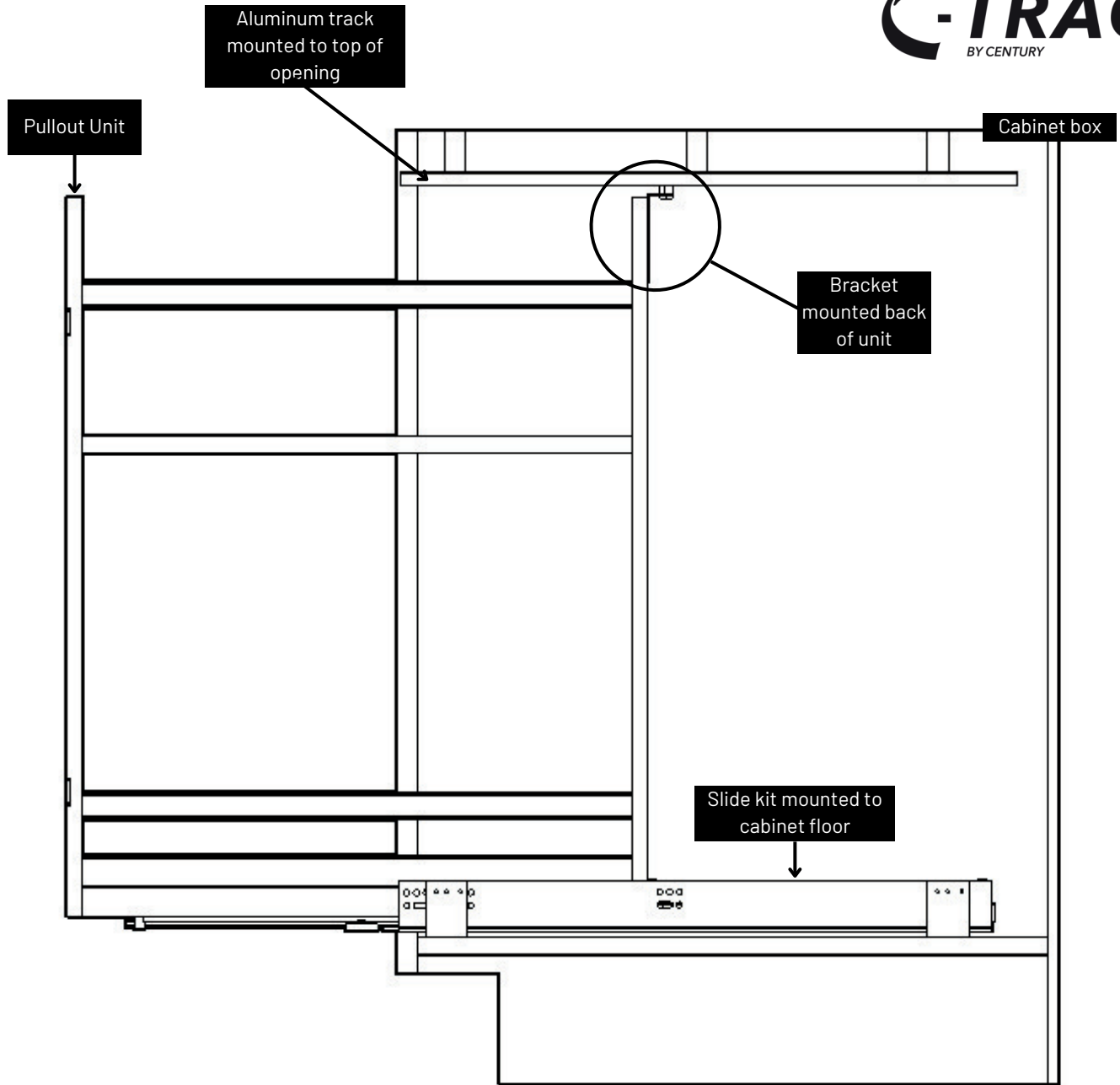
Tilt Screws x4



Double Stick Squares x4



Bracket with Bushing 1x with #8x1/2 installation screws x4

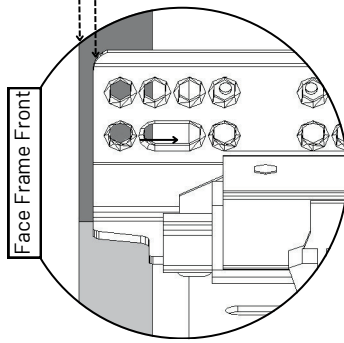
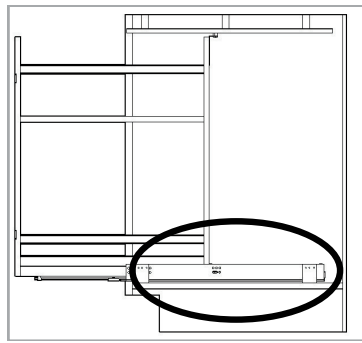
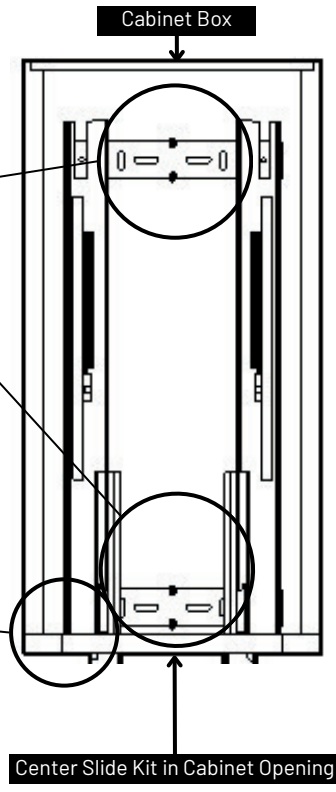
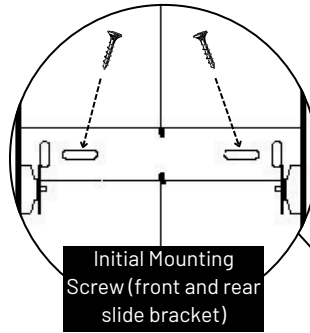


**1** Install slide kit to cabinet floor (centered in cabinet opening) using four #8 washer head screws (not provided).

Slide depth placement:

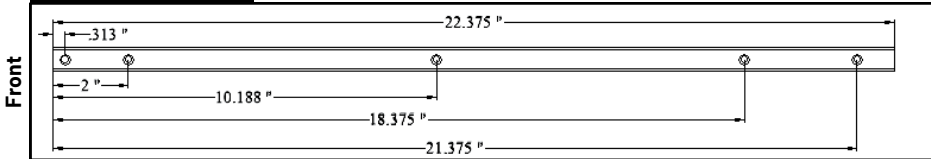
- Over lay doors: 1/8" back from front of face (pictured below)
- Inset doors: 1/8" back from back of door when closed

1/8" Set Back

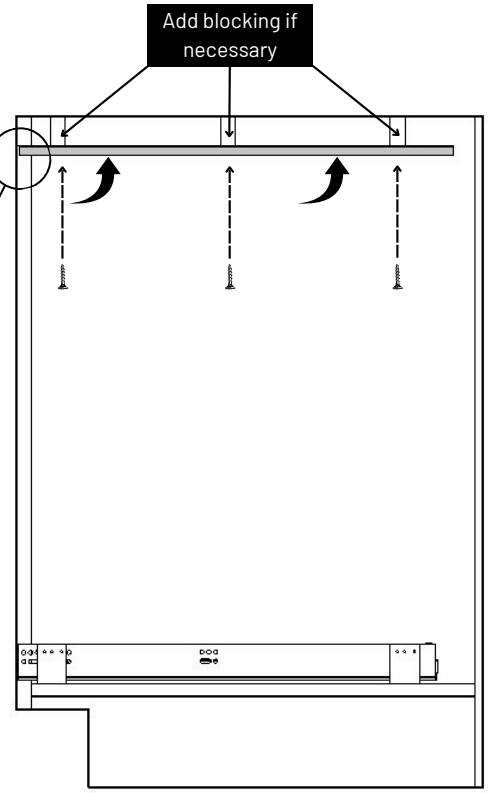


**2** Install aluminum track in the top of the cabinet box (centered left-to-right) using the provided 3-#6x1/2 wood screws. Note: Blocking may need to be added based on cabinet construction. Aluminum track can be trimmed if necessary.

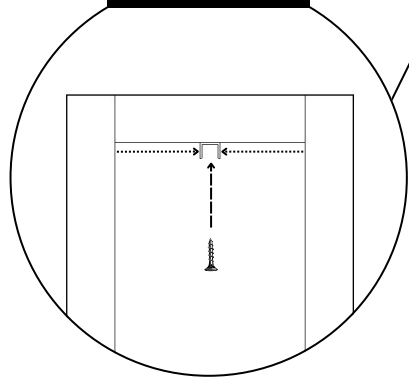
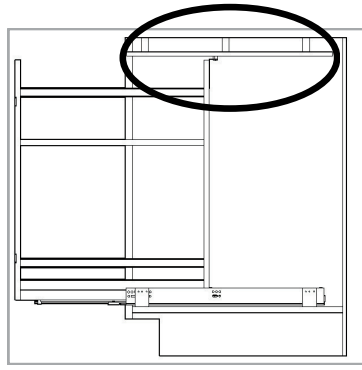
Track Hole Locations



Add blocking if necessary



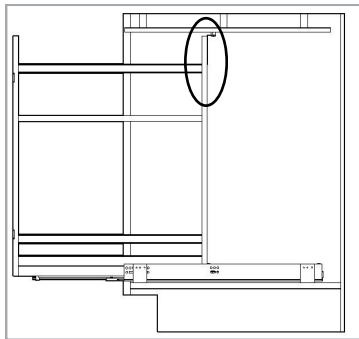
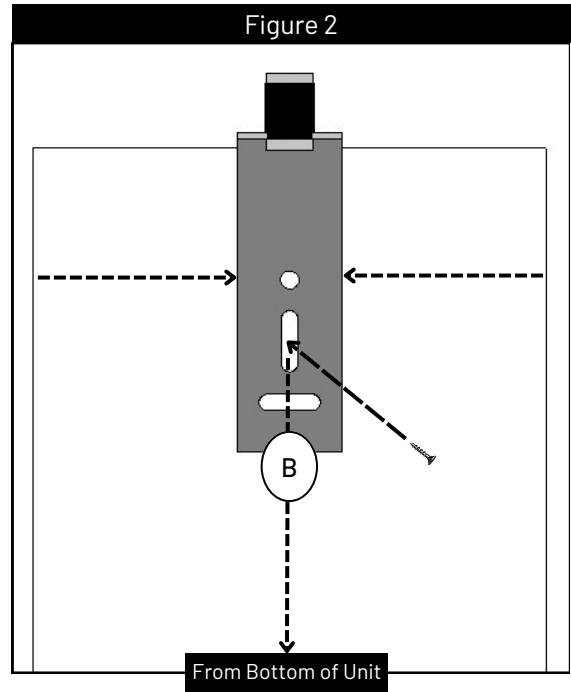
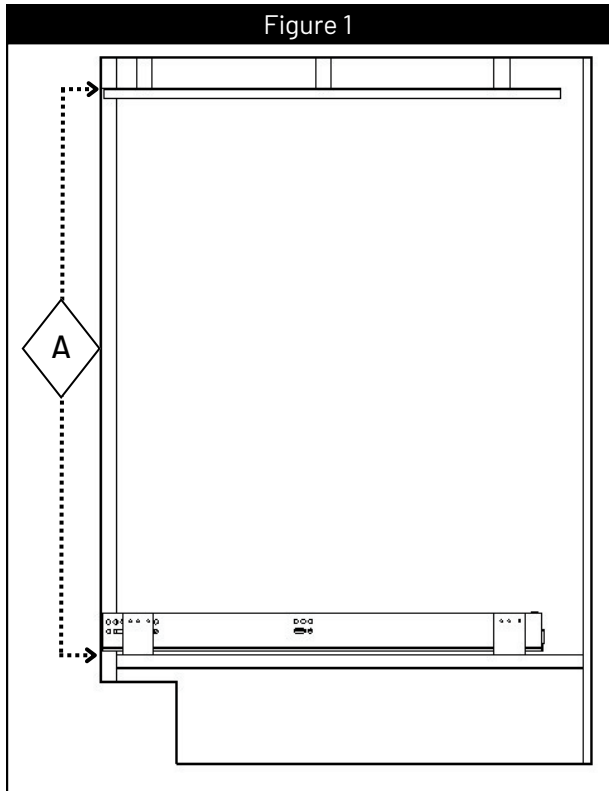
Center track in opening



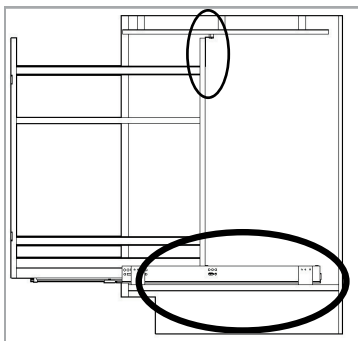
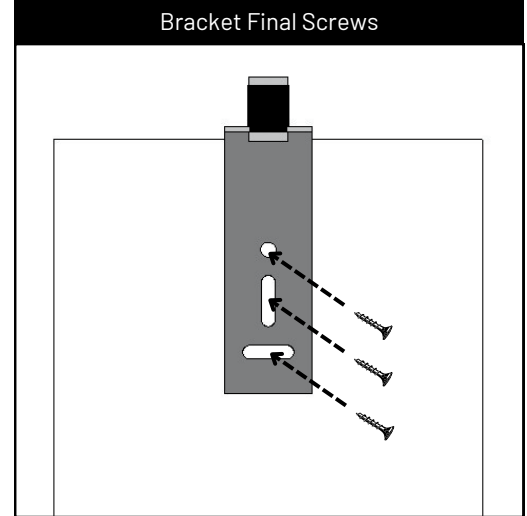
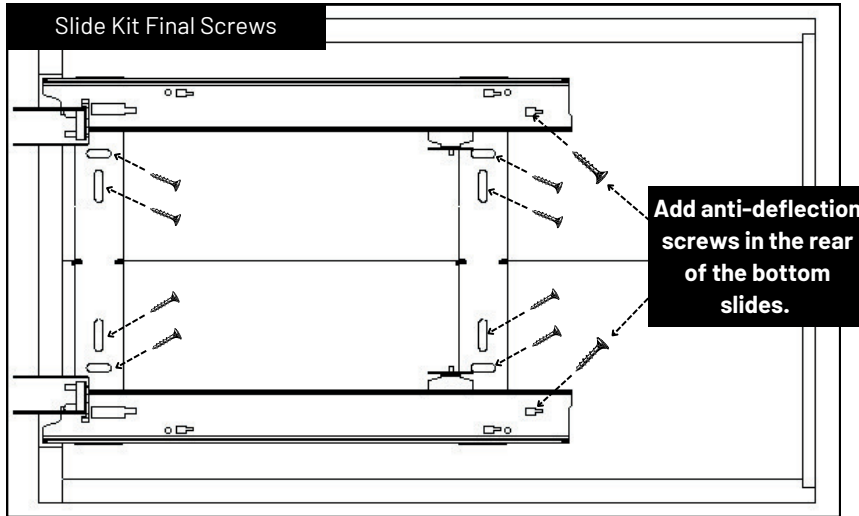
- 3** Mount bracket to back panel of unit using provided #8x1/2 washer head screws.  
Add final screws once adjustments have been made.

**Steps:**

1. Find measurement A. Measure from cabinet floor to top of opening (Figure 1).
2. Find measurement B by subtracting 3-9/16" from A.
3. Mark B from the bottom of the unit for screw location centered in the vertical slot. (Figure 2).

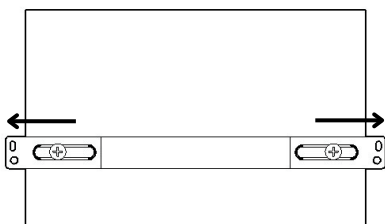


**4** Make final adjustments and place set screws.

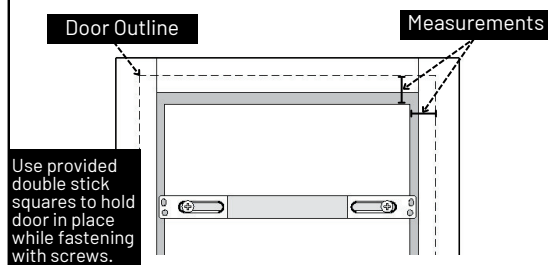


**Door Mounting Instructions**

**1** Extend upper and lower door mount brackets.



**2** Determine proper door placement.



Use provided double stick squares to hold door in place while fastening with screws.

**3** Fasten door to the unit. Screws not provided. Use tilt screws (provided) as needed.

