

Signature Series:

- SIGTP80-60PF (Opening: 9"W x 60"H)
- SIGTP110-60PF (Opening: 12"W x 60"H)
- SIGTP140-60PF (Opening: 15"W x 60"H)
- SIGTP70-60PF* (Opening: 7-1/2"W x 60"H)
- SIGTP100-60PF* (Opening: 10-1/2"W x 60"H)

Cascade Series:

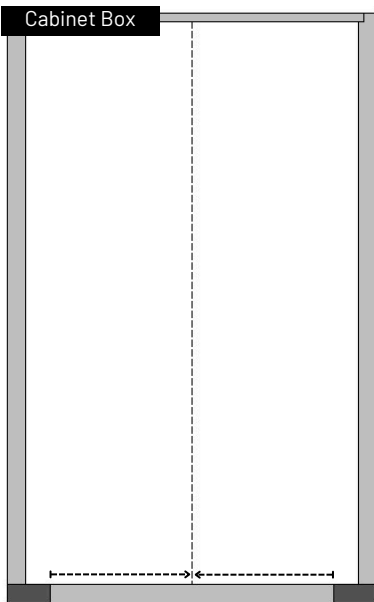
- CASTP80-60PF (Opening: 9"W x 60"H)
- CASTP110-60PF (Opening: 12"W x 60"H)
- CASTP140-60PF (Opening: 15"W x 60"H)
- CASTP70-60PF* (Opening: 7-1/2"W x 60"H)
- CASTP100-60PF* (Opening: 10-1/2"W x 60"H)

*Frameless Sizes

Box Contents

Tall Pantry x1 With pre-installed door mount brackets (x4) and Blum locking devices (x4)	Slide Kit x1 	Maple Blocking x2 	Shelves x3
	Upper Slides x2 	Spacers x4 	Double Stick Squares x4

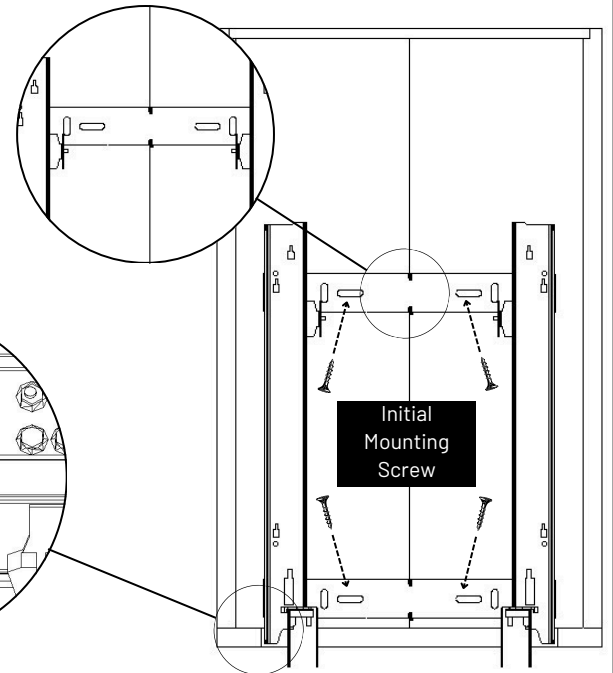
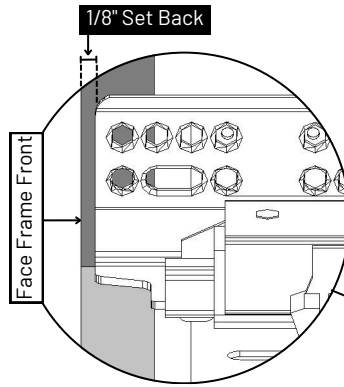
1 Find the center of the cabinet opening. Strike a center line to determine slide kit placement.



2 Align slide kit center markings with center line. Screw slide kit to cabinet floor with four #8 washer head screws (not provided).

Slide depth placement:

- Over lay doors: 1/8" back from front of face (pictured below)
- Inset doors: 1/8" back from back of door when closed

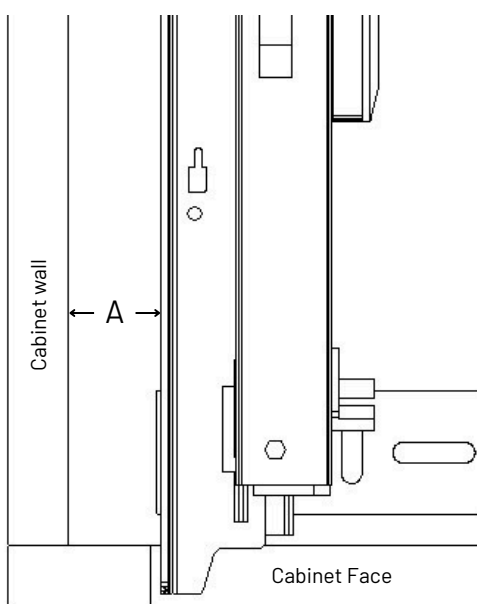


3 Determine left blocking width by measuring distance from cabinet wall to left slide (A). Repeat for right side. Note: Depending on cabinet construction, the blocks may not be the same size.

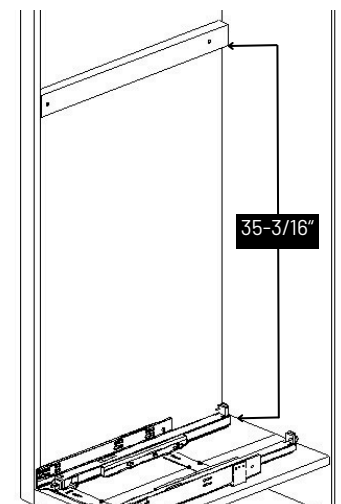
Note for FRAMELESS

Frameless applications use the provided gray spacers rather than the maple blocks to attach uppers slides. Slide Placement in steps 5 and 6 are identical.

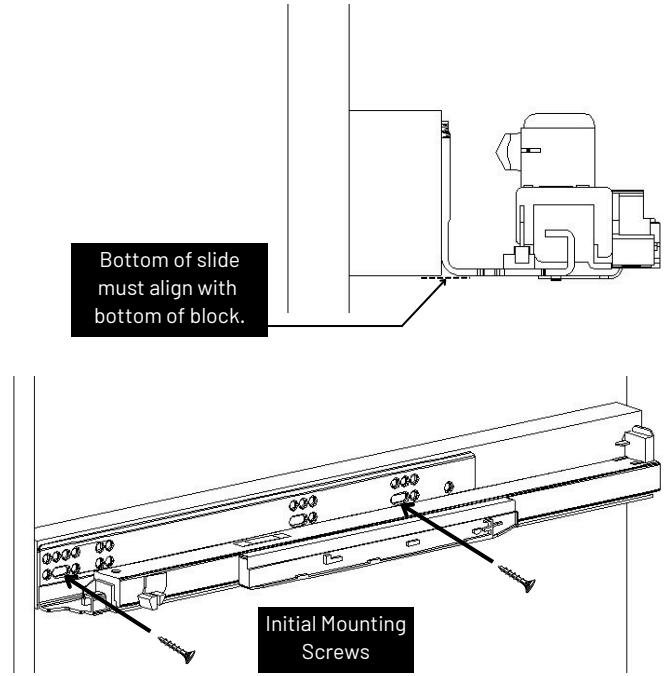
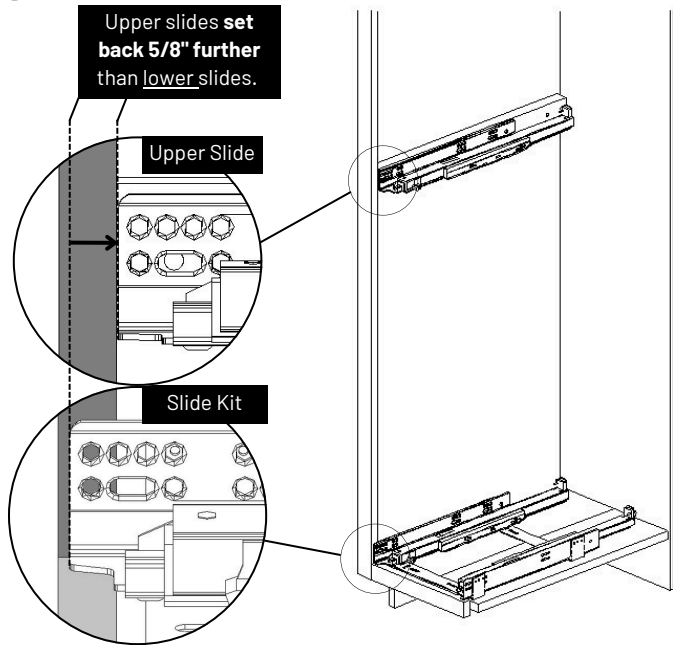
4 Rip blocking to proper size.



5 Install blocks 35-3/16" from the cabinet floor to the bottom of the block using appropriate length wood screws (not provided).



6 Mount upper slides on the maple block. Screws not provided.



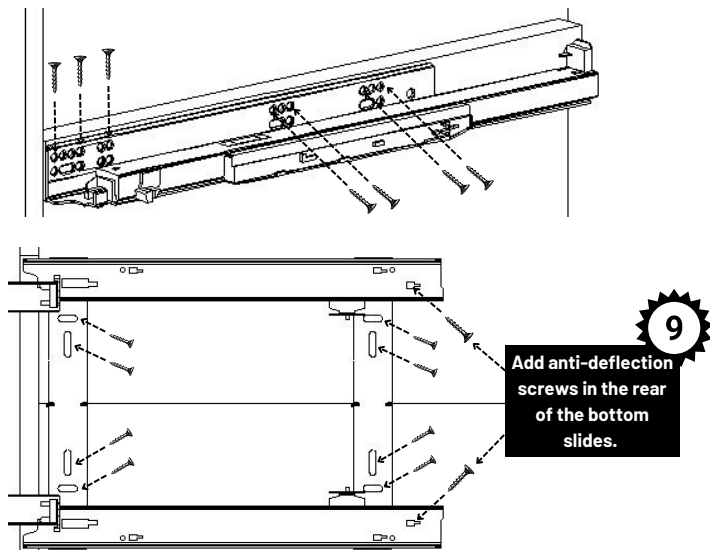
7 Place unit on the slides and ensure proper fit.

To make adjustments:

1. Remove the unit.
2. Loosen the screws holding the slides.
3. Adjust the slide placement as needed.
4. Retighten the screws.
5. Check unit fit again.

Repeat as needed.

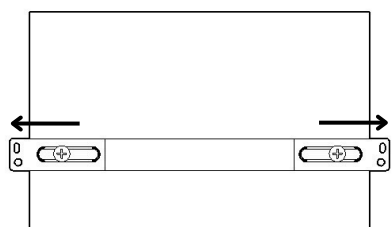
8 Once satisfied, place all final set screws in the slide kit and upper slides. Screws not provided.



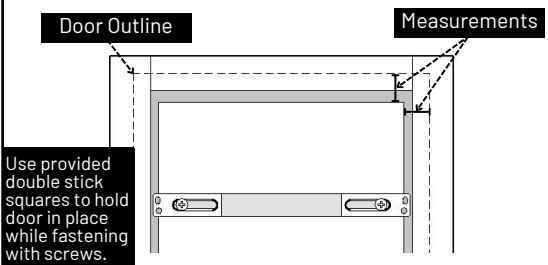
Upper slide placement (#5 and #6) are critical for effective unit functioning.

Door Mounting Instructions

1 Extend upper and lower door mount brackets.



2 Determine proper door placement.



3 Fasten door to the unit. Screws not provided. Use tilt screws (provided) as needed.

