

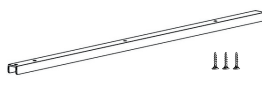



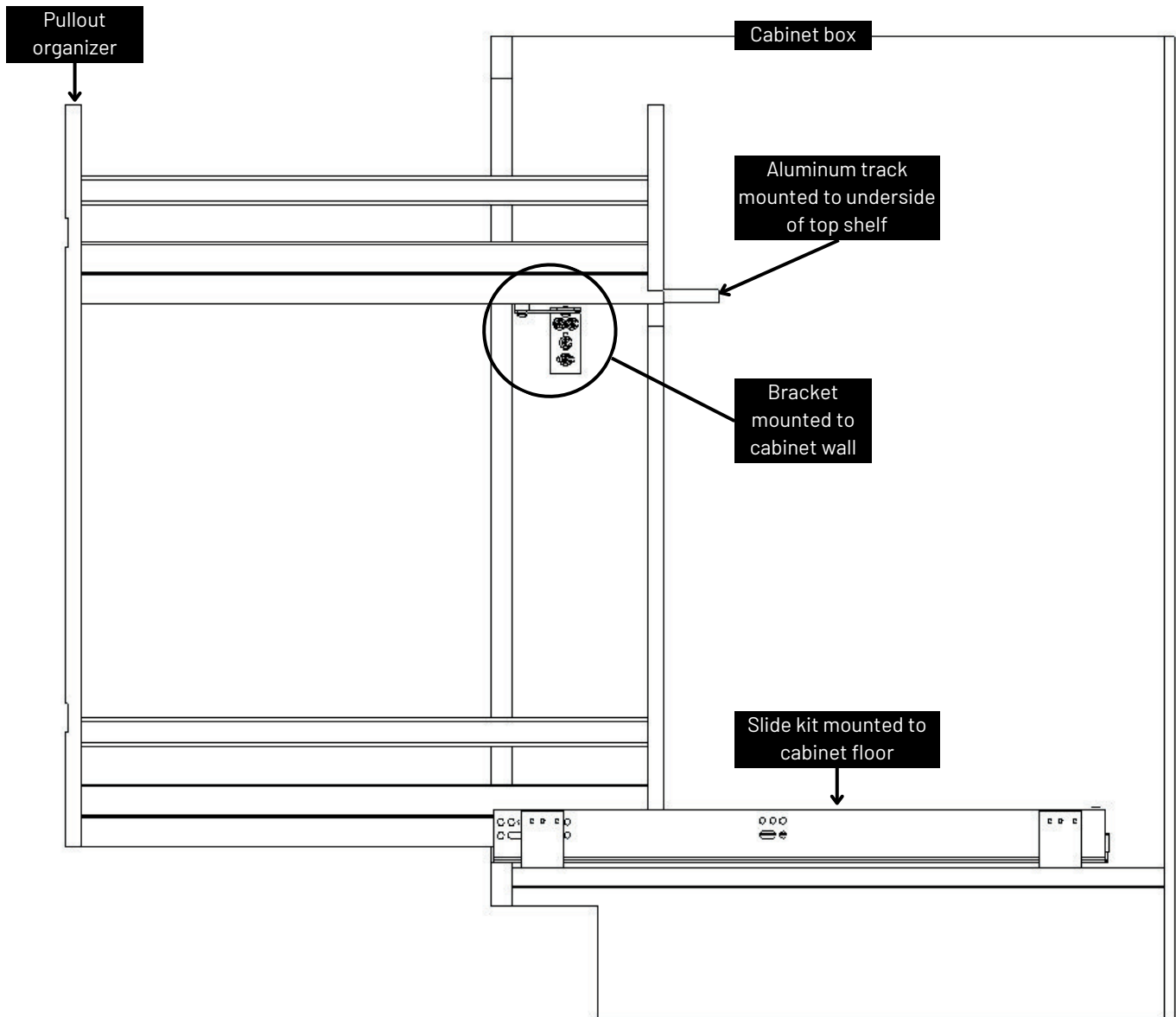


**Box Contents**

<p><b>Base Organizer x1</b></p> <p>With pre-installed door mount brackets (x4) and Blum locking devices (x2).</p> 	<p><b>Slide Kit x1</b></p> 	<p><b>Aluminum Track (x1) with #6x1/2" (3x) installation screws</b></p> 	<p><b>Bracket with Bushing (1x) with #8x1/2 (4x) installation screws</b></p> 
<p><b>Tilt Screws x4</b></p> 	<p><b>Double Stick Squares x4</b></p> 	<p><b>BASE ORGANIZER VARIATIONS:</b></p> <ol style="list-style-type: none"> <li>1. Base organizers: adjustable shelf (1x) with shelf pegs (4x).</li> <li>2. Cleaning Organizers: 2 qt canister (1x), dowel (1x), and clear acrylic tray (1x).</li> <li>3. Canister Organizers: canisters (3-5 depending on model).</li> <li>4. Knife Block Organizers: canisters (2-3 depending on model) and a knife block insert (1x).</li> <li>5. Trimmable Spice Organizer Add-On for Base Organizers</li> </ol>	

Designed for  
**C-TRAC**<sup>TM</sup>  
 BY CENTURY  
[www.centurymade.com/c-trac](http://www.centurymade.com/c-trac)

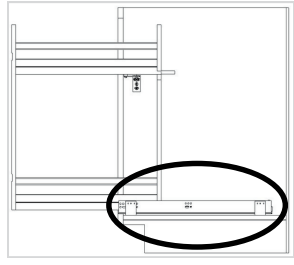
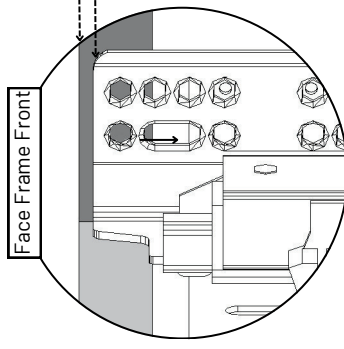
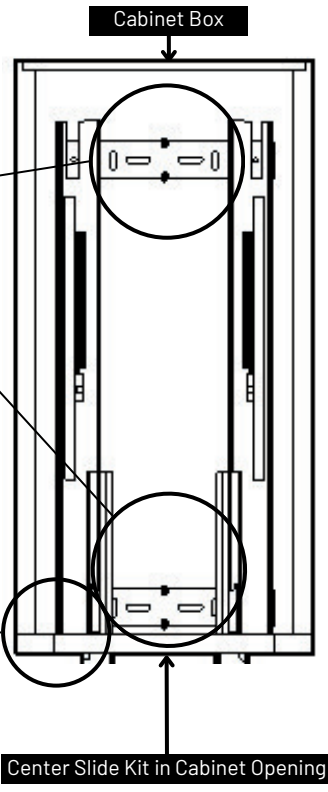
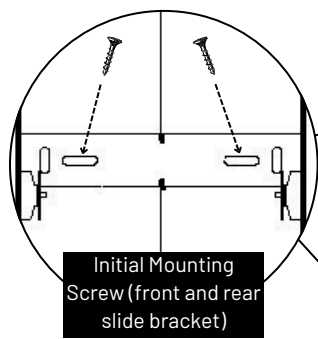


**1** Install slide kit to cabinet floor (centered in cabinet opening). Screws not provided.

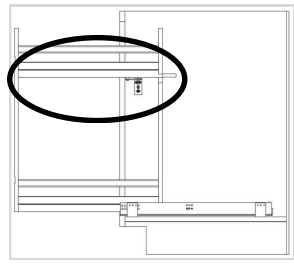
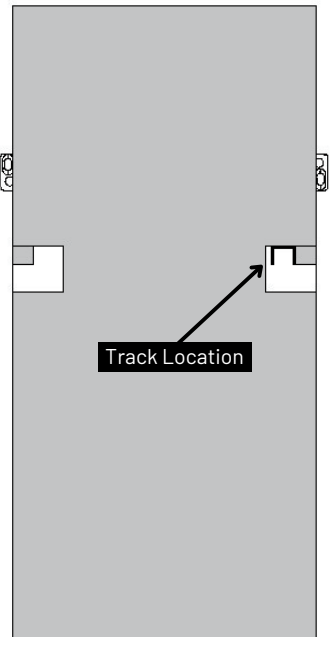
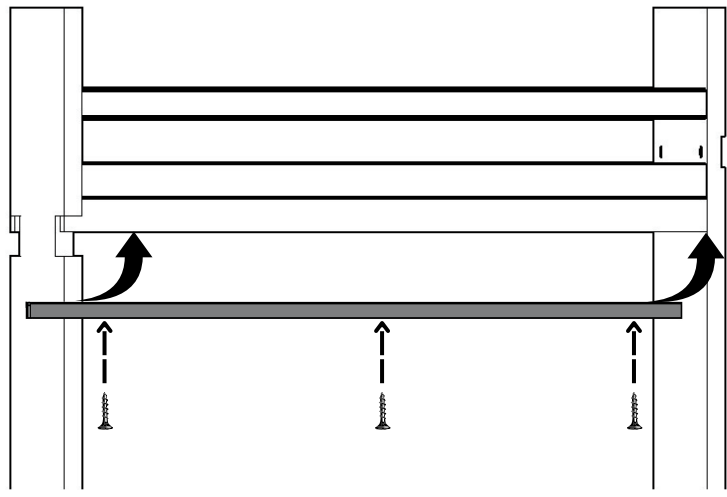
Slide depth placement:

- Over lay doors: 1/8" back from front of face (pictured below)
- Inset doors: 1/8" back from back of door when closed

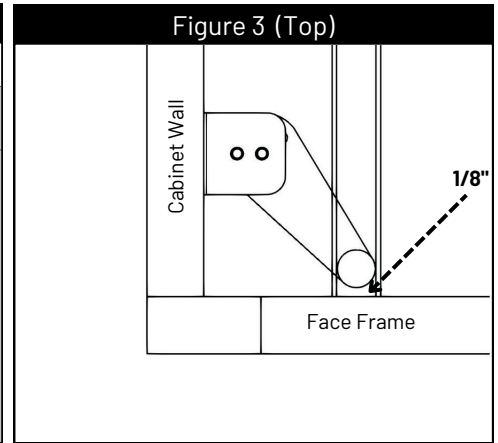
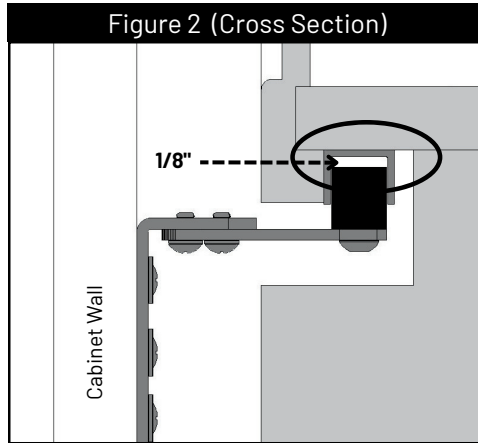
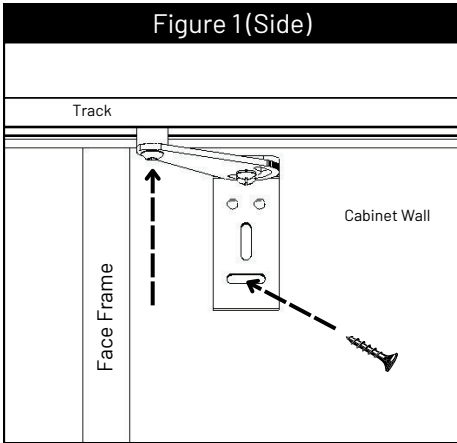
1/8" Set Back



**2** Attach aluminum track to the bottom left side of upper shelf using provided #6 x 1/2 screws (fits left (default) or right). Track should be firmly against the front panel of the unit and flat against the shelf bottom.  
Note: The aluminum track will extend beyond the back of the unit by design. Track can be trimmed down to 21-1/2" if necessary (Current length: is 22-3/8").

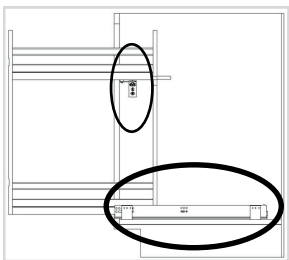
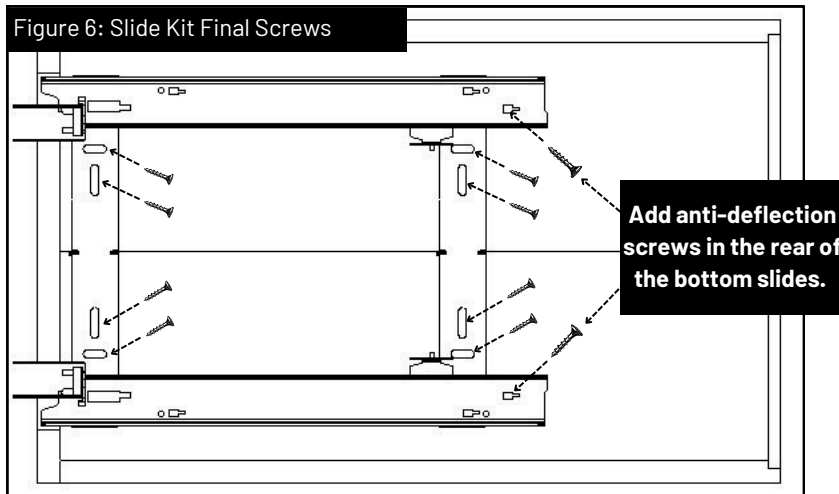
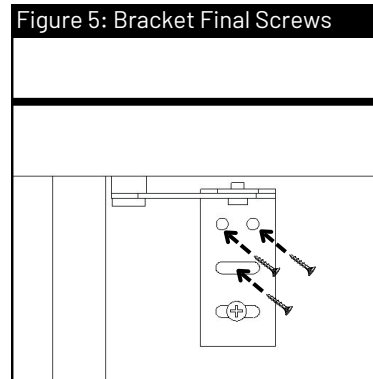
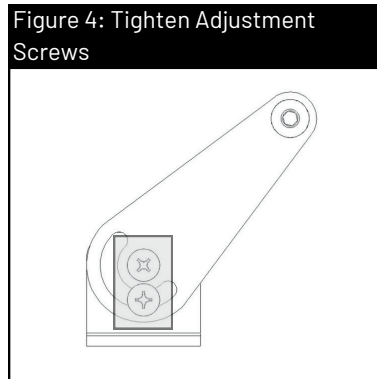


- 3** Mount bracket to the cabinet wall using provided #8x1/2" screws. Ensure the arm of the side bracket can swing by loosening the adjustment screws. Partially open the unit, insert bushing into the track and screw the bracket to the cabinet wall (figure 1). Ensure 1/8" of clearance between top of bushing and top of rack (figure 2) and 1/8" clearance between the bushing and the front panel when unit is closed (figure 3).



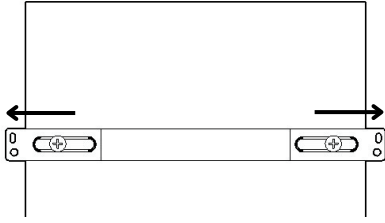
**NOTE: See C-Trac Technical Data Sheet for specifications.**

- 4** Make final adjustments and place set screws. Adjust the unit left to right by swinging the arm in/out. See figure 3 above. Place final set screws in side bracket and slide kit as shown below.

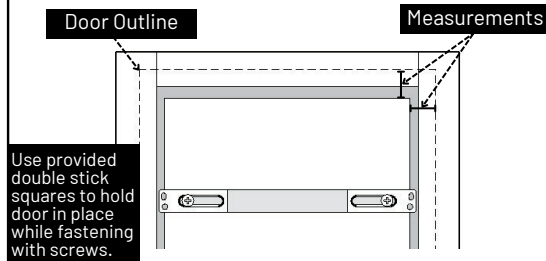


**Door Mounting Instructions**

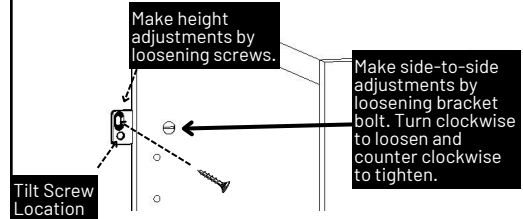
**1** Extend upper and lower door mount brackets.



**2** Determine proper door placement.



**3** Fasten door to the unit. Screws not provided. Use tilt screws (provided) as needed.



Products designed for C-Trac.

Product #	Measurement A
CASB0100PF	17-7/8
CASB0100PF-18	17-7/8
CASB0110PF	17-3/8
CASB0115PF	17-7/8
CASB0130PF	17-7/8
CASB0140PF	17-3/8
CASB070PF	17-7/8
CASB080PF	17-3/8
CASB080PF-18	17-3/8
CASB085PF	17-7/8
CASCAN100PF	15-7/8
CASCAN115PF	15-7/8
CASCAN130PF	15-7/8
CASCAN70PF	15-7/8
CASCAN85PF	15-7/8
CASC0100PF	16-7/8
CASC085PF	16-7/8
CASG0100PF-18	13-7/8
CASG080PF-18	13-3/8
CASG0-EL100PF-18	13-7/8
CASG0-EL80PF-18	13-3/8
CASKBI100PF	15-7/8
CASKBI110PF	15-3/8
CASKBI130PF	15-7/8
CASKBI70PF	15-7/8
CASKBI80PF	15-3/8
CASOV100PF	13-7/8
CASOV70PF	13-7/8
CASOV80PF	13-3/8
CASSHB100PF	11-3/8
CASSHB70PF	11-3/8
CASSHB80PF	11-3/8
SIGB0100PF	17-7/8
SIGB0100PF-18	17-7/8

Product #	Measurement A
SIGB0115PF	17-7/8
SIGB0130PF	17-7/8
SIGB070PF	17-7/8
SIGB085PF	17-7/8
SIGB085PF-18	17-7/8
SIGCAN100PF	15-7/8
SIGCAN115PF	15-7/8
SIGCAN130PF	15-7/8
SIGCAN70PF	15-7/8
SIGCAN85PF	15-7/8
SIGC0100PF	16-7/8
SIGC085PF	16-7/8
SIGG0100PF-18	13-7/8
SIGG085PF-18	13-7/8
SIGG0-EL100PF-18	13-7/8
SIGG0-EL85PF-18	13-7/8
SIGKBI100PF	15-7/8
SIGKBI115PF	15-7/8
SIGKBI130PF	15-7/8
SIGKBI70PF	15-7/8
SIGKBI85PF	15-7/8
SIGOV100PF	13-7/8
SIGOV70PF	13-7/8
SIGOV80PF	13-3/8
SIGSHB100PF	11-3/8
SIGSHB70PF	11-3/8
SIGSHB80PF	11-3/8
WCCB085PF	17-7/8
WCCCAN85PF	15-7/8
WCCKBI85PF	15-7/8